



BLOOD GROOVE HYPERCHARGER

9970

Thank You For Choosing Kuryakyn!

Protect yourself and others from potential injury and property damage or loss. Pay close attention to all instructions, warnings, cautions, and notices regarding the installation, use, and care of this product.

WARNING

THIS INDICATION ALERTS YOU TO THE FACT THAT IGNORING THE CONTENTS DESCRIBED HEREIN CAN RESULT IN POTENTIAL DEATH OR SERIOUS INJURY.

NOTICE

This indication alerts you to the fact that ignoring the contents described herein may negatively affect product performance and functionality or damage the product itself or the product to which it is being attached.

THIS PRODUCT IS NOT LEGAL FOR SALE OR USE ON POLLUTION CONTROLLED VEHICLES.

ENSURE THAT THE FOLLOWING PARTS HAVE BEEN INCLUDED IN THE KIT:

- 1 Hypercharger Assembly with Hardware Bag Containing:
(3) 1/4"-20 X 1-5/8" (2) #6-32 X 3/8" (2) #6 Washers—NOT USED
- 1 Dual Velocity Ring in Bag Inside Hypercharger Assembly
- 1 K&N Air Filter
- 1 Adapter/Breather Kit including:
 - 2 90 Degree Barbed Fittings
 - 1 Rubber Hose
 - 6 4" Cable Ties
 - 3 1/4"-20 x 5/8" Socket Head Cap Screws
 - 3 1/4"-20 x 7/8" Socket Head Cap Screws
 - 1 Breather/Adapter
 - 1 O-Ring
 - 1 Gasket with Adhesive
 - 2 Breather Hoses
 - 2 Breather Bolts
- 1 Installation Instructions

YOU WILL ALSO NEED:

Set of Hex Wrenches, Socket Set with Ratchet, Needle Nose Pliers, Side Cutter

NOTICE

These installation instructions contain important information. Ensure that the end user receives this copy and is aware of its importance for future use.

WARNING

THE END USER'S SAFETY DEPENDS UPON PROPER INSTALLATION OF THIS PRODUCT. IF A STEP IN THESE INSTRUCTIONS IS NOT WITHIN YOUR CAPABILITIES OR YOU DO NOT HAVE THE CORRECT TOOLS, HAVE YOUR DEALER PERFORM THE PROCEDURE. IMPROPER INSTALLATION OF THIS PRODUCT COULD RESULT IN DEATH OR SERIOUS INJURY.

ACCIDENTAL VEHICLE START-UP COULD CAUSE DEATH OR SERIOUS INJURY, REMOVE THE MAIN FUSE BEFORE PROCEEDING.

INSTALLATION MAY REQUIRE CONTACT WITH THE ENGINE AND EXHAUST SYSTEM; ENSURE THAT IT HAS FULLY COOLED BEFORE BEGINNING TO PREVENT INJURY.

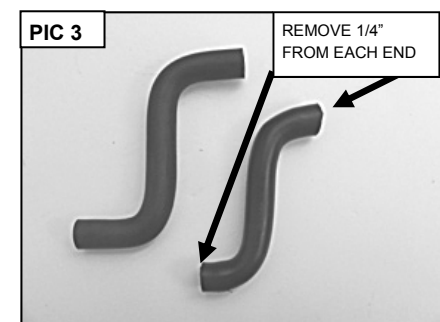
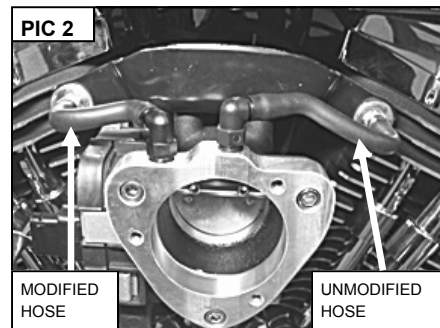
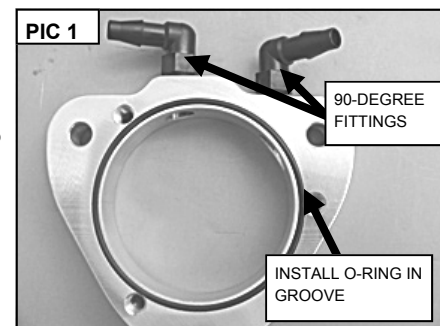
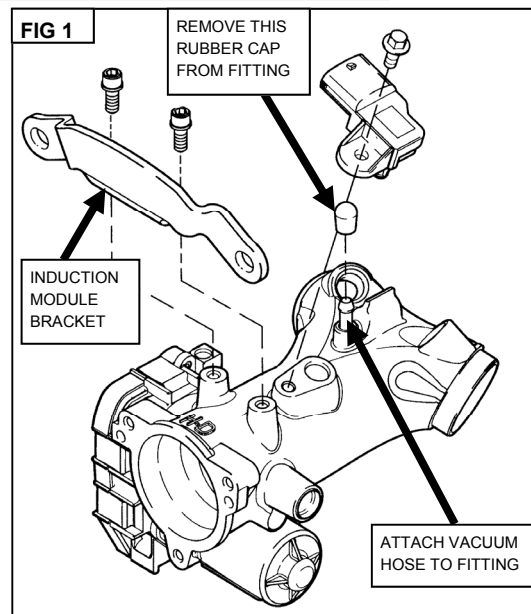
FUEL VAPORS ARE VERY FLAMMABLE! PERFORM THIS INSTALLATION IN A WELL VENTILATED AREA AWAY FROM SPARKS AND OPEN FLAMES. FUEL VAPORS MAY IGNITE CAUSING AN EXPLOSION THAT CAN LEAD TO SERIOUS INJURY OR DEATH.

NOTICE

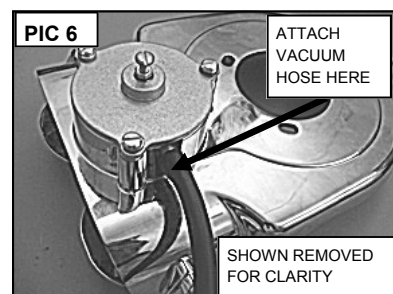
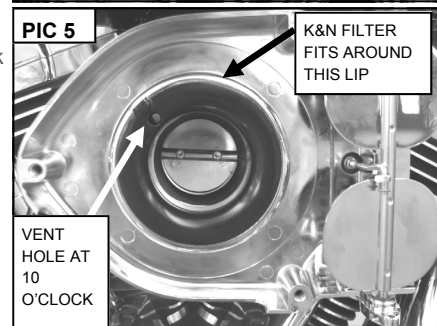
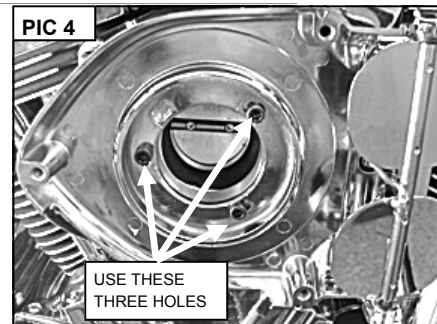
Avoid damage to the motorcycle. Protect painted surfaces with a soft cloth or blanket.

Ensure proper clearance between the Hypercharger and the fuel tank BEFORE operating the motorcycle.

- STEP 1** Read and understand all steps in the instructions before starting the installation. Park the motorcycle on a hard, level surface and turn **IGN OFF**. Allow the engine and exhaust system to cool. Remove the main fuse.
- STEP 2** Remove the existing air cleaner assembly, mounting hardware and hoses.
- STEP 3** Remove the two OEM breather bolts that secure the EFI support bracket to the heads; they will not be reused.
- STEP 4** Remove the screws that secure the bracket to the fuel induction module shown in **FIG 1**. Set the screws aside for now; they will be used to re-install the bracket.
- STEP 5** Refer to **FIG 1**. Remove the cap from the fuel induction module vacuum fitting.
- STEP 6** Install the Rubber Hose on the fitting. Secure with an included cable tie, trimming off any of the excess cable tie. Route the hose down along the front side of the fuel induction module.
- STEP 7** Reinstall the support bracket on the fuel induction module using the screws removed in **STEP 4**.
- STEP 8** Secure the bracket to the heads using the included breather bolts.
- STEP 9** Refer to **PIC 1**. Install the 90-degree barbed fittings into the breather adapter so that they face towards the engine at a slight angle.
- STEP 10** Install the O-Ring in the groove on the backside of the breather adapter as shown in **PIC 1**.
- STEP 11** Align the breather adapter (O-ring facing inward) with the fuel induction module; secure using three 1/4"-20 x 7/8" socket head cap screws. Ensure that the fittings are oriented as in **PIC 2**.
- STEP 12** Modify one (1) of the supplied breather hoses as shown in **PIC 3**.
- STEP 13** Install the modified hose between the rear breather bolt and the rear 90-degree barbed fitting. Install the other breather hose between the front breather bolt and the front 90-degree barbed fitting.
- Refer to **PIC 2**. Secure the ends of the hoses with the supplied cable ties; snip the excess ends of the cables ties.



- STEP 14** Refer to **PIC 4**. Locate the Hypercharger Back Plate. Insert the three 1/4"-20 X 5/8" socket head cap screws through the mounting holes in the back plate from the inside. Remove and discard the adhesive backing from the gasket; align and press into place on the back-side of the Hypercharger.
- STEP 15** Align the Hypercharger back plate with the breather adapter; ensure that there is proper clearance between the Hypercharger and fuel tank; secure with the three screws.
- STEP 16** Refer to **PIC 5**. Align the black plastic Dual Velocity ring with the vent hole in the Hypercharger back plate. Press it all the way into place. The ring will "snap" into place.
- STEP 18** Refer to **PIC 5**. Align the K&N air filter with the raised lip on the back plate.
- STEP 19** Locate the hardware kit that was with the Back Plate. Align the Front Cover over the back plate/filter; ensure that the front cover cut-out fits over the filter; loosely secure it to the back plate with the three 1/4"-20 X 1-5/8" fasteners. Thread one of the #6-32 X 3/8" fasteners through the top and bottom butterfly caps and into the front cover. Tighten the #6-32 X 3/8" fasteners securely. Tighten the 1/4"-20 X 1-5/8" fasteners securely.
- STEP 20** Refer to **PIC 6**. Plug the rubber vacuum hose into the air jet on the bottom of the vacuum pod on the back of the Hypercharger.
- STEP 21** Double check the tightness of all fasteners, re-install the main fuse, check for hose clearance and check throttle for correct operation, making sure it returns properly, before starting bike.



⚠ WARNING

FAILURE OF THE THROTTLE TO RETURN COULD RESULT IN LOSS OF CONTROL CAUSING SERIOUS INJURY OR DEATH.

NOTICE

Proper tuning is important. Carbureted bikes should be re-jetted and fuel injected bikes should be tuned with a TTS MasterTune tuning system (calibrations available at www.kuryakyn.com) or Vance & Hines FP3 (calibrations available at <http://fp3.vanceandhines.com/download>) by an experienced tuner, on a dyno, with an exhaust gas analyzer.

It is the end user's responsibility to ensure that all fasteners (including pre-assembled) are tightened before operation of the motorcycle. Kuryakyn will not provide warranty coverage on products or components lost or damaged due to improper installation or lack of maintenance. Periodic inspection and maintenance are required on all fasteners.

LIMITED WARRANTY

Kuryakyn warrants that any Kuryakyn products sold hereunder, shall be free of defects in materials & workmanship for a period of one (1) year from the date of purchase by the consumer excepting the following provisions:

1. Kuryakyn shall have no obligation in the event the customer is unable to provide a receipt showing the date the customer purchased the product(s).
2. The product must be properly installed, maintained & operated under normal conditions.
3. Kuryakyn shall not be liable for any consequential & incidental damages, including labor & paint, resulting from failure of a Kuryakyn product, failure to deliver, delay in delivery, delivery in nonconforming condition, or for any breach of contract or duty between Kuryakyn & a customer.
4. Kuryakyn products are often intended for use in specific applications. Kuryakyn makes no warranty if a Kuryakyn product is used in applications other than intended.
5. Kuryakyn electrical products are warranted for one (1) year from the date of purchase by the consumer. L.E.D.'s contained in components of Kuryakyn products will be warranted for defects in materials & workmanship for 3 years from the date of purchase whereas all other components shall be warranted for one (1) year.
6. Merchandise purchased directly from Internet auction sites or any other third party seller is considered sold as is & shall not carry a Kuryakyn warranty. All warranty claims must be directed to the original seller. If unsure please contact the seller to verify they are an authorized Kuryakyn retailer.

RETURN POLICY

Merchandise determined to be defective may be returned up to one year from the date of purchase. Returns must be processed through original seller. Returned merchandise for any other reason other than warranty claims must be in like new condition & subject to a 20% restocking fee. All returns are subject to inspection for determination of full or partial credit. Any returned part that shows evidence of being used or installed contrary to manufacturer's instructions, &/or subjected to improper handling, packaging or return shipping by the customer, will not be eligible for exchange, refund or warranty consideration. All returned electrical items will be inspected & tested. If electrical item is deemed functional, no credit will be issued & item will be returned. All sales are final on discontinued or closeout merchandise.

EMISSIONS NOTICE

The California Air Resources Board (CARB) does not permit the use of aftermarket emission-related parts(s) that alter the performance of OEM emission-related devices unless CARB has issued an Executive Order other than on racing vehicles on closed courses. Check your local laws and manufacturer's information.