

THANK YOU FOR CHOOSING CRUSHER!

Protect yourself and others from possible injury and property damage or loss. Pay close attention to all instructions, warnings, cautions, and notices regarding the installation, use, and care of this product.

WARNING

THIS INDICATION ALERTS YOU TO THE FACT THAT IGNORING THE CONTENTS DESCRIBED HEREIN CAN RESULT IN POTENTIAL DEATH OR SERIOUS INJURY.

CAUTION

THIS INDICATION ALERTS YOU TO THE FACT THAT IGNORING THE CONTENTS DESCRIBED HEREIN CAN RESULT IN MINOR OR MODERATE POTENTIAL INJURY.

NOTICE

THIS INDICATION ALERTS YOU TO THE FACT THAT IGNORING THE CONTENTS DESCRIBED HEREIN MAY NEGATIVELY AFFECT PRODUCT PERFORMANCE AND FUNCTIONALITY OR DAMAGE THE PRODUCT ITSELF OR THE PRODUCT TO WHICH IT IS BEING ATTACHED.

ENSURE THAT THE FOLLOWING PARTS HAVE BEEN INCLUDED IN THE KIT:

- | | | | |
|---|---------------------------------------|---|--|
| 1 | Revolt Air Cleaner Assembly | 1 | Adapter and Breather Kit, containing - CONTINUED: |
| 1 | Round Flat Filter | 1 | O-Ring |
| 1 | Adapter and Breather Kit, containing: | 3 | 1/4"-20 x 5/8" Socket Head Cap Screws |
| 2 | 90 Degree Fitting | 3 | 1/4"-20 x 7/8" Socket Head Cap Screws |
| 1 | 16" Hose — NOT USED | 1 | Breather Adapter |
| 6 | 4" Cable Ties | 2 | Breather Bolt |
| 1 | Adhesive Gasket | 2 | Breather Hose |

YOU WILL ALSO NEED:

Set of Hex Wrenches, Set of Combination Wrenches

NOTICE

THESE INSTALLATION INSTRUCTIONS CONTAIN IMPORTANT INFORMATION. ENSURE THE END USER RECEIVES THIS COPY AND IS AWARE OF ITS IMPORTANCE FOR FUTURE USE.

STEP 1

Read and understand all steps in the instructions before starting the installation. Park the motorcycle on a hard, level surface and turn **IGN OFF**. Allow the engine and exhaust system to cool. Remove the main fuse.

WARNING

THE END USER'S SAFETY DEPENDS UPON PROPER INSTALLATION OF THIS PRODUCT. IF A STEP IN THESE INSTRUCTIONS IS NOT WITHIN YOUR CAPABILITIES OR YOU DO NOT HAVE THE CORRECT TOOLS, HAVE YOUR DEALER PERFORM THE PROCEDURE. IMPROPER INSTALLATION OF THIS PRODUCT COULD RESULT IN DEATH OR SERIOUS INJURY.

ACCIDENTAL VEHICLE START-UP COULD CAUSE DEATH OR SERIOUS INJURY, REMOVE THE MAIN FUSE BEFORE PROCEEDING.

INSTALLATION REQUIRES CONTACT WITH THE EXHAUST SYSTEM. ENSURE THAT THE EXHAUST SYSTEM HAS FULLY COOLED BEFORE BEGINNING TO PREVENT INJURY.



CRUSHER REVOLT AIR CLEANER FOR '08-UP TWIN CAM W/ELECTRONIC THROTTLE, CHROME

9617

-Continued-

STEP 2 Remove the existing air cleaner so that the intake flange is completely exposed. Carefully remove any existing gasket material from the flange. Ensure that the flange is clean and dry.

NOTICE

REFER TO PIC 1. ENSURE THAT THE BIKE IS EQUIPPED WITH AN INDUCTION MODULE BRACKET BEFORE INSTALLING THE AIR CLEANER.

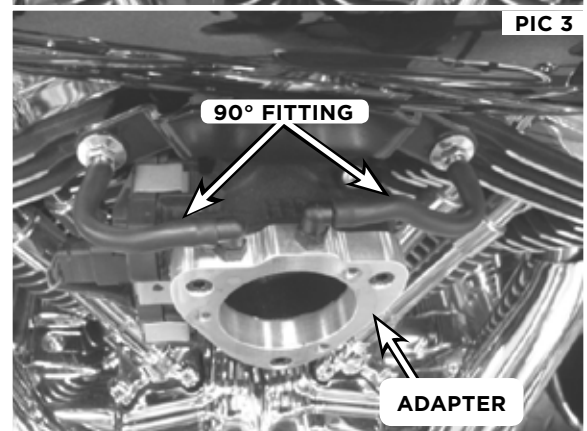
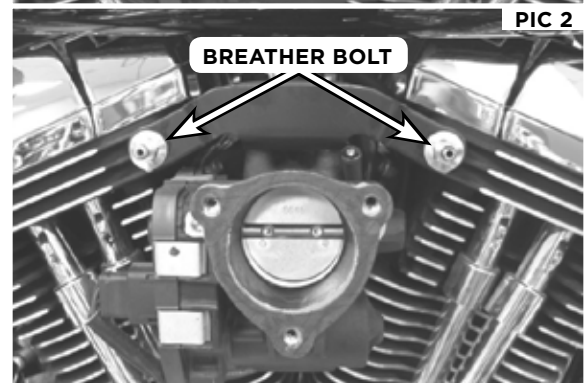
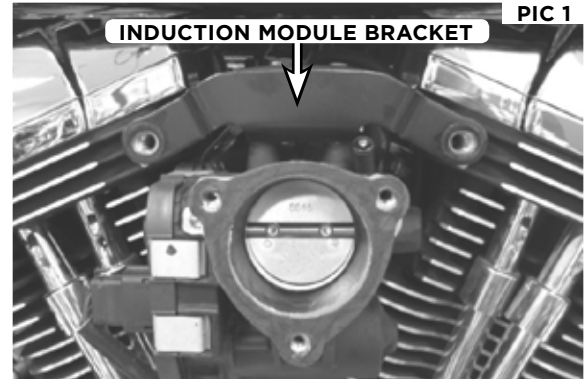
IF NOT EQUIPPED, USE KURYAKYN P/N 9929 CHROME TWIN CAM INTAKE SUPPORT BRACKET (SOLD SEPARATELY) OR H/D P/N 27711-08 (SOLD SEPARATELY).

STEP 3 Refer to PIC 2. Replace the existing breather bolts with the two (2) included Breather Bolts.

STEP 4 Refer to PIC 3. Locate the included Breather Adapter, O-Ring, and Fittings.

Assemble the Breather Adapter and Fittings as shown in PIC 3. The fittings should point away from each other.

Press the included O-Ring into the channel on the backside of the Adapter.



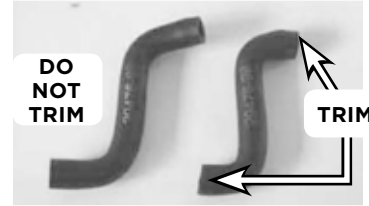
CRUSHER REVOLT AIR CLEANER FOR '08-UP TWIN CAM W/ELECTRONIC THROTTLE, CHROME

9617

-Continued-

STEP 5 Locate the included Breather Hoses.

Refer to PIC 4 and 5. Trim 1/4" from each end of ONE of the included Breather Hoses.

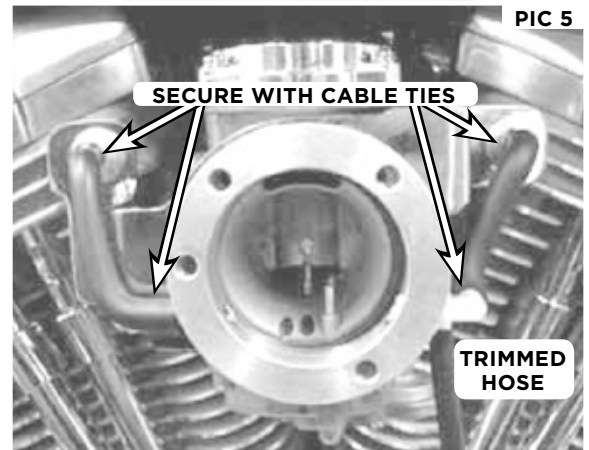


PIC 4

Connect the trimmed Hose to the front Breather Bolt and the 90° Fitting on the Breather Adapter.

Connect the remaining Breather Hose to the rear Breather Bolt and the Straight Fitting on the Breather Adapter.

Ensure that the Hoses are free of kinks or tight bends. Secure the ends of the two Hoses with the included Cable Ties; trim the excess Cable Tie ends.



PIC 5

STEP 6 Locate the included Adhesive Gasket.

Remove and discard the adhesive backing from the included Gasket; align it with the Adapter and press it into place.

STEP 7 Align the Adapter assembly with the intake flange; attach it to the flange with the three (3) included 1/4"-20 X 7/8" Socket Head Cap Screws.

STEP 8 Refer to FIG 1. Completely disassemble the Revolt Assembly. Make note as to how it is assembled, it will help for reassembly.

STEP 9 Refer to FIG 1. Locate the Velocity Base.

STEP 10 Align the Velocity Stack and the threaded holes in the Adapter; secure the Velocity Stack to the Adapter with the three (3) included 1/4"-20 X 5/8" Socket Head Cap Screws.

Ensure that the O-Ring on the backside of the Adapter remains in place.

DO NOT over tighten the screws!

STEP 11 Refer to FIG 1 and PIC 6. Locate the included Super Ring. "Snap" the Ring into place; ensure it is secure before continuing.

STEP 12 Locate the included Round Flat Filter, Screen, and Trim Ring.

Place the Filter in the Velocity Base; align the holes in the Screen with the Outer Ring; cover the Filter with the Screen and Trim Ring; secure with the five (5) 1/4"-20 x 1/2" Socket Head Cap Screws.

STEP 13 Reinstall the main fuse. Double check the tightness of all related fasteners, check for hose clearance and check throttle for correct operation, making sure it returns properly, before starting bike.

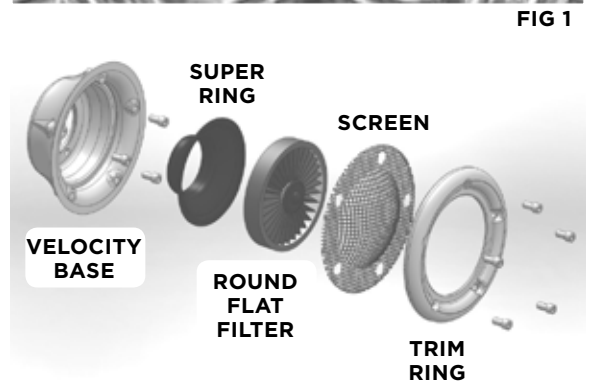
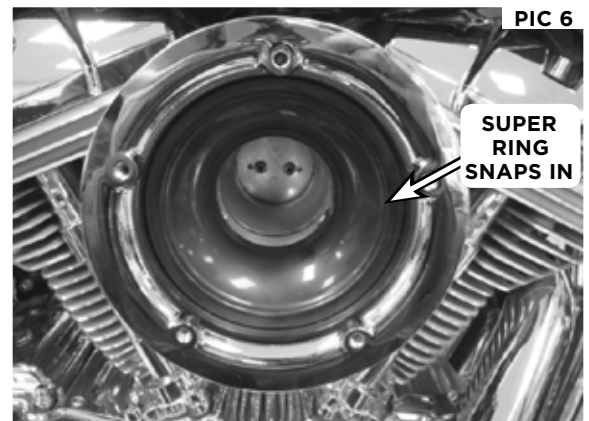


FIG 1



PIC 6

-Continued-

⚠ WARNING

FAILURE OF THE THROTTLE TO RETURN COULD RESULT IN LOSS OF CONTROL CAUSING SERIOUS INJURY OR DEATH.

NOTICE

IT IS THE END USER'S RESPONSIBILITY TO ENSURE THAT ALL FASTENERS (INCLUDING PRE-ASSEMBLED) ARE TIGHTENED BEFORE OPERATION OF THE MOTORCYCLE. KURYAKYN WILL NOT PROVIDE WARRANTY COVERAGE ON PRODUCTS OR COMPONENTS LOST OR DAMAGED DUE TO IMPROPER INSTALLATION OR LACK OF MAINTENANCE. PERIODIC INSPECTION AND MAINTENANCE ARE REQUIRED ON ALL FASTENERS.

LIMITED WARRANTY

Crusher warrants that any Crusher products sold hereunder, shall be free of defects in materials & workmanship for a period of one (1) year from the date of purchase by the consumer excepting the following provisions:

1. Crusher shall have no obligation in the event the customer is unable to provide a receipt showing the date the customer purchased the product(s).
2. The product must be properly installed, maintained & operated under normal conditions.
3. Crusher shall not be liable for any consequential & incidental damages, including labor & paint, resulting from failure of a Crusher product, failure to deliver, delay in delivery, delivery in nonconforming condition, or for any breach of contract or duty between Crusher & a customer.
4. Crusher products are often intended for use in specific applications. Crusher makes no warranty if a product is used in applications other than intended.
5. Crusher electrical products are warranted for one (1) year from the date of purchase by the consumer. L.E.D.'s contained in components of Crusher products will be warranted for defects in materials & workmanship for 3 years from the date of purchase where as all other components shall be warranted for one (1) year.
6. Exhaust systems are warranted for manufacturing defects only. There is no warranty on exhaust pipes & mufflers with regard to any discoloration. Discoloration or "blue-ing" is caused by tuning characteristics, exhaust timing, carburetor jetting, overheating, etc. & is not caused by defective manufacturing.
7. Crusher makes no warranty of any kind in regard to other manufacturer's products distributed by Crusher. Crusher will pass on all warranties made by the manufacturer & where possible, will expedite the claim on behalf of the customer, but ultimately, responsibility for disposition of the warranty claim lies with the manufacturer.
8. Merchandise purchased directly from Internet auction sites or any other third party seller is considered sold as is & shall not carry a Crusher warranty. All warranty claims must be directed to the original seller. If unsure please contact the seller to verify they are an authorized Crusher retailer.

RETURN POLICY

Merchandise determined to be defective may be returned up to one year from the date of purchase. Returns must be processed through original seller. Returned merchandise for any other reason other than warranty claims must be in like new condition & subject to a 20% restocking fee. All returns are subject to inspection for determination of full or partial credit. Any returned part that shows evidence of being used or installed contrary to manufacturer's instructions, &/or subjected to improper handling, packaging or return shipping by the customer, will not be eligible for exchange, refund or warranty consideration. All returned electrical items will be inspected & tested. If electrical item is deemed functional, no credit will be issued & item will be returned. All sales are final on discontinued or closeout merchandise.

RETURN INSTRUCTIONS

Contact one of our prompt, courteous Customer Service representatives toll free at 866-295-5759. Be sure to have the following information available when you call:

- Name
 - Part number(s) to be returned
 - Copy of original invoice
 - Reason for return
1. Obtain R.M.A. number which shall remain active & valid for 60 days.(Important: Issuance of R.M.A. does not represent an authorized credit.)
 2. Carefully package merchandise to avoid damage during shipment. Depending on its condition, original packaging may not be sufficient.
 3. Ship only those items for which the R.M.A. has been issued.
 4. Write the R.M.A. number prominently on the outside of package.
 5. Ship package freight PREPAID (C.O.D.s will not be accepted) to:
Kuryakyn 454 County Road V V Somerset, WI 54025

EMISSIONS NOTICE

The California Air Resources Board (CARB) does not permit the use of aftermarket emission-related parts(s) that alter the performance of OEM emission-related devices unless CARB has issued an Executive Order, other than on racing vehicles on closed courses. Check your local laws and manufacturer's information.

©2016 KURYAKYN HOLDINGS, LLC ALL RIGHTS RESERVED

CRUSHER, CRUSHER logo and the marks appearing on this instruction sheet are registered and common law trademarks of Kuryakyn Holdings except noted third-party trademarks. A full listing of trademarks and trademark registrations owned by Kuryakyn Holdings can be found at www.kuryakyn.com/legal-notice.

Listed Manufacturers and product model names are for reference only. All product and company names are trademarks or registered trademarks of their respective holders. Use of them does not imply any affiliation with or endorsement by them. All specifications are subject to change without notice.

For additional information on third-party product and company names, please consult our Web page at www.kuryakyn.com/legal-notice