

## INSTALLATION INSTRUCTIONS

### PASSENGER ARMREST FOR GL1800

6770

#### THANK YOU FOR CHOOSING KURYAKYN!

Protect yourself and others from possible injury and property damage or loss. Pay close attention to all instructions, warnings, cautions, and notices regarding the installation, use, and care of this product.

- WARNING** THIS INDICATION ALERTS YOU TO THE FACT THAT IGNORING THE CONTENTS DESCRIBED HEREIN CAN RESULT IN POTENTIAL DEATH OR SERIOUS INJURY.
- CAUTION** THIS INDICATION ALERTS YOU TO THE FACT THAT IGNORING THE CONTENTS DESCRIBED HEREIN CAN RESULT IN MINOR OR MODERATE POTENTIAL INJURY.
- NOTICE** THIS INDICATION ALERTS YOU TO THE FACT THAT IGNORING THE CONTENTS DESCRIBED HEREIN MAY NEGATIVELY AFFECT PRODUCT PERFORMANCE AND FUNCTIONALITY OR DAMAGE THE PRODUCT ITSELF OR THE PRODUCT TO WHICH IT IS BEING ATTACHED.

#### ENSURE THAT THE FOLLOWING PARTS HAVE BEEN INCLUDED IN THE KIT:

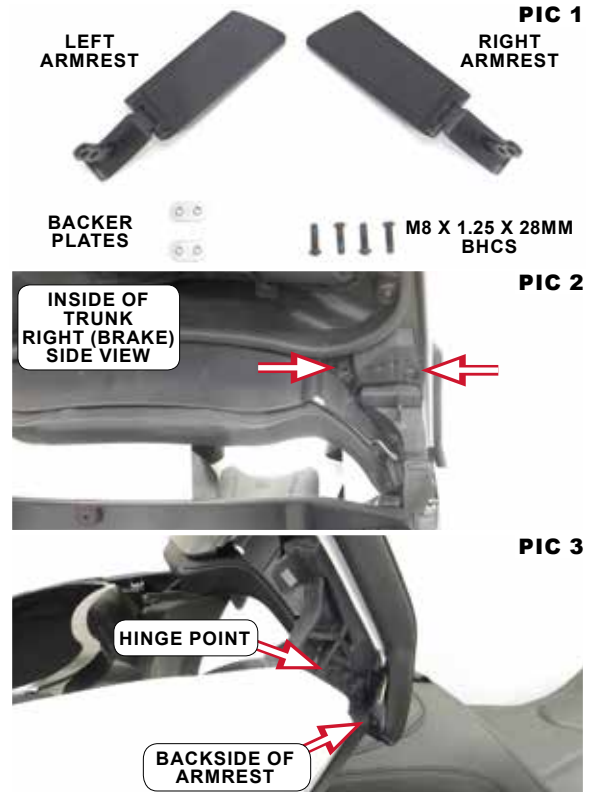
- |   |                            |   |   |
|---|----------------------------|---|---|
| 1 | Left Armrest (clutch side) | 2 | Backer Plates                           |
| 1 | Right Armrest (brake side) | 4 | M8 x 1.25 x 28mm Button Head Cap Screws |

#### YOU WILL ALSO NEED:

Metric hex wrench set, Phillips screwdriver set, blue loctite

**NOTICE** THESE INSTALLATION INSTRUCTIONS CONTAIN IMPORTANT INFORMATION. ENSURE THE END USER RECEIVES THIS COPY AND IS AWARE OF ITS IMPORTANCE FOR FUTURE USE.

- STEP 1** Read and understand all steps in the instructions before starting the installation. Park the motorcycle on a hard, level surface and turn off the ignition. Let motorcycle cool.
- STEP 2** Refer to PIC 2. From the inside of the trunk remove two (2) screws in the trunk lid above the hinge point to loosen the backrest from the trunk. Do this on both the left and right side. Apply a small amount of blue loctite to the threads of the removed hardware. Set hardware aside, it will be reused.
- STEP 3** Refer to PIC 3. From the outside edge of the hinge points of the trunk, remove the screws securing the OEM plastic filler to the hinge point. Set hardware aside, it will NOT be reused.
- STEP 4** Refer to PIC 3. Gently pull the passenger backrest away from the trunk. On the backside of the passenger's armrest, remove the screw that is securing the OEM plastic filler to the armrest. Set hardware aside, it will NOT be reused.



## INSTALLATION INSTRUCTIONS

### PASSENGER ARMREST FOR GL1800

6770

-CONTINUED-

**STEP 5** Refer to PIC 4 and 5. Remove OEM plastic armrest filler from the passenger's backrest.

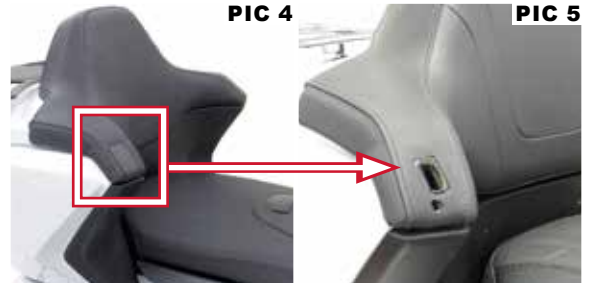
**STEP 6** Refer to PIC 6. Locate provided Right Armrest (brake side). Align and place the provided armrest into the holes from where the armrest filler was.

**STEP 7** Locate provided backer plate and two (2) shoulder bolts. Apply a small amount of blue loctite to the threads of the shoulder bolts.

**STEP 8** Refer to PIC 7 and 8. From the inside of the trunk, align and place the backer plate behind the mounting holes on the hinge point. Insert and fasten the screws from the outside of the hinge point. Fully tighten hardware.

**STEP 9** Repeat steps 3 through 8 on the opposite side.

**STEP 10** Locate hardware removed in Step 2 and fasten the backrest to the trunk. Fully tighten hardware.



**FINAL**



#### NOTICE

IT IS THE INSTALLER'S RESPONSIBILITY TO ENSURE THAT ALL OF THE FASTENERS (INCLUDING PRE-ASSEMBLED) ARE TIGHTENED BEFORE OPERATION OF THE MOTORCYCLE. KURYAKYN WILL NOT PROVIDE WARRANTY COVERAGE ON PRODUCTS OR COMPONENTS LOST DUE TO IMPROPER INSTALLATION OR LACK OF MAINTENANCE. PERIODIC INSPECTION AND MAINTENANCE ARE REQUIRED ON ALL FASTENERS.

## INSTALLATION INSTRUCTIONS

### PASSENGER ARMREST FOR GL1800

6770

-CONTINUED-

#### LIMITED WARRANTY

Kuryakyn warrants that any Kuryakyn products sold hereunder, shall be free of defects in materials & workmanship for a period of one (1) year from the date of purchase by the consumer excepting the following provisions:

1. Kuryakyn shall have no obligation in the event the customer is unable to provide a receipt showing the date the customer purchased the product(s).
2. The product must be properly installed, maintained & operated under normal conditions.
3. Kuryakyn shall not be liable for any consequential & incidental damages, including labor & paint, resulting from failure of a Kuryakyn product, failure to deliver, delay in delivery, delivery in nonconforming condition, or for any breach of contract or duty between Kuryakyn & a customer.
4. Kuryakyn products are often intended for use in specific applications. Kuryakyn makes no warranty if a Kuryakyn product is used in applications other than intended.
5. Kuryakyn electrical products are warranted for one (1) year from the date of purchase by the consumer. L.E.D.'s contained in components of Kuryakyn products will be warranted for defects in materials & workmanship for 3 years from the date of purchase whereas all other components shall be warranted for one (1) year.
6. All warranty claims must be directed to the place of purchase. Merchandise sold through internet auction sites or any other unauthorized reseller shall not carry a Kuryakyn warranty. If unsure, please contact the place of purchase to verify they are an authorized Kuryakyn reseller.

#### RETURN POLICY

Merchandise determined to be defective may be returned up to one year from the date of purchase. Returns must be processed through original seller. Returned merchandise for any other reason other than warranty claims must be in like new condition & subject to a 20% restocking fee. All returns are subject to inspection for determination of full or partial credit. Any returned part that shows evidence of being used or installed contrary to manufacturer's instructions, &/or subjected to improper handling, packaging or return shipping by the customer, will not be eligible for exchange, refund or warranty consideration. All returned electrical items will be inspected & tested. If electrical item is deemed functional, no credit will be issued & item will be returned. All sales are final on discontinued or closeout merchandise.

©2015 KURYAKYN HOLDINGS, LLC ALL RIGHTS RESERVED

KURYAKYN, KURYAKYN K logo and the marks appearing on this instruction sheet are registered and common law trademarks of Kuryakyn Holdings except noted third-party trademarks. A full listing of trademarks and trademark registrations owned by Kuryakyn Holdings can be found at [www.kuryakyn.com/legal-notice](http://www.kuryakyn.com/legal-notice).

Emissions Notice: The California Air Resources Board (CARB) does not permit the use of aftermarket emission-related parts(s) that alter the performance of OEM emission-related devices unless CARB has issued an Executive Order, other than on racing vehicles on closed courses. Check your local laws and manufacturer's information.

Listed Manufacturers and product model names are for reference only. All product and company names are trademarks or registered trademarks of their respective holders. Use of them does not imply any affiliation with or endorsement by them. All specifications are subject to change without notice.

For additional information on third-party product and company names, please consult our Web page at [www.kuryakyn.com/legal-notice](http://www.kuryakyn.com/legal-notice)