

INSTALLATION INSTRUCTIONS

ADJUSTABLE MIRROR RELOCATOR, '06-'13 STREET GLIDE

6576

THANK YOU FOR CHOOSING KURYAKYN!

Protect yourself and others from possible injury and property damage or loss. Pay close attention to all instructions, warnings, cautions, and notices regarding the installation, use, and care of this product.

WARNING THIS INDICATION ALERTS YOU TO THE FACT THAT IGNORING THE CONTENTS DESCRIBED HEREIN CAN RESULT IN POTENTIAL DEATH OR SERIOUS INJURY.

CAUTION THIS INDICATION ALERTS YOU TO THE FACT THAT IGNORING THE CONTENTS DESCRIBED HEREIN CAN RESULT IN MINOR OR MODERATE POTENTIAL INJURY.

NOTICE THIS INDICATION ALERTS YOU TO THE FACT THAT IGNORING THE CONTENTS DESCRIBED HEREIN MAY NEGATIVELY AFFECT PRODUCT PERFORMANCE AND FUNCTIONALITY OR DAMAGE THE PRODUCT ITSELF OR THE PRODUCT TO WHICH IT IS BEING ATTACHED.

ENSURE THAT THE FOLLOWING PARTS HAVE BEEN INCLUDED IN THE KIT:

2	Bracket Arms	2	Hex Threaded Standoff
2	Base Assemblies	2	Threaded Stud 3/8"-16 X 1.5"
1	Left Base Adapter	4	1/4-20 X .75 Flat Head Cap Screw
1	Right Base Adapter	2	VHB Ring
1	Left Mirror Slider	2	Fender Washer
1	Right Mirror Slider	2	3/8"-16 Flange Locknut
2	Relocator Front Rubber	2	Slider Caps
2	Relocator Inside Rubber		

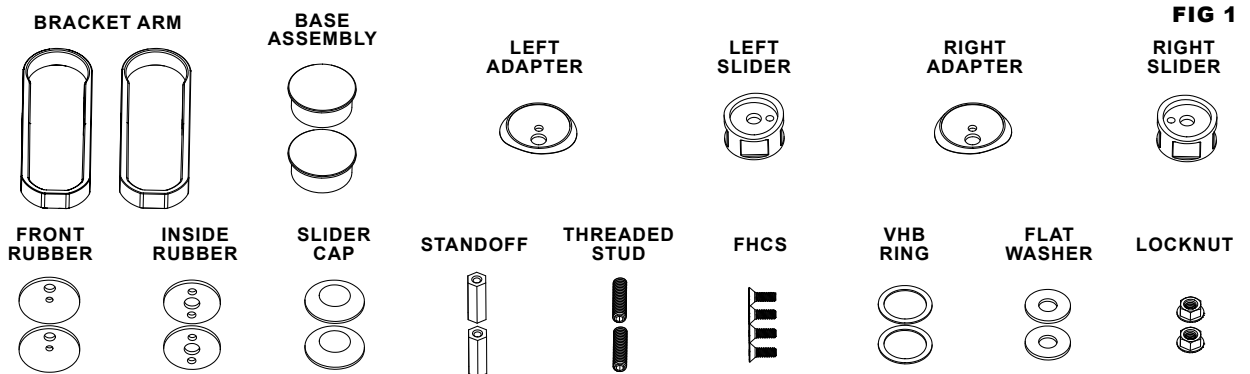
YOU WILL ALSO NEED:

Hex bit and socket set, in-lbs (Nm) torque wrench, combination wrench set, blue Loctite

NOTICE THESE INSTALLATION INSTRUCTIONS CONTAIN IMPORTANT INFORMATION. ENSURE THE END USER RECEIVES THIS COPY AND IS AWARE OF ITS IMPORTANCE FOR FUTURE USE.

NOTICE A FACTORY SERVICE MANUAL MAY BE HELPFUL IN PERFORMING THIS INSTALLATION. DO NOT ATTEMPT TO PERFORM THIS INSTALLATION AND CONSULT A TRAINED TECHNICIAN IF YOU ARE NOT CONFIDENT IN YOUR ABILITY TO COMPLETE ALL OF THE STEPS IN THESE INSTRUCTIONS.

STEP 1 Read and understand all steps in the instructions before starting the installation. Park the motorcycle on a hard, level surface and turn off the ignition. Let motorcycle cool.



INSTALLATION INSTRUCTIONS

ADJUSTABLE MIRROR RELOCATOR, '06-'13 STREET GLIDE

6576

-CONTINUED-

STEP 2 Refer to PIC 1. Unfasten and remove the three (3) windshield screws. Gently remove the windshield. Apply a small amount of blue Loctite to the threads of the screws. Set the windshield and hardware aside, they will be reused.

Unfasten and remove the two (2) screws from each side of the inner fairing. Apply a small amount of blue Loctite to the threads of the screws. Set all aside, they will be reused.

Carefully remove the outer fairing; unplug the headlight connector and set the outer fairing (headlight facing up) on a soft, sturdy surface.

STEP 3 Refer to PIC 2 and 3. From the inside of the fairing, unfasten and remove the existing mirrors from the inner fairing. Set the mirror and the mounting hardware aside, they will be reused.

Note: As you're removing the mirror from the inner fairing, take note of the order of the hardware in which it is being removed. This will be helpful for when you reinstall the mirror.

STEP 4 Refer to FIG 2. Starting on the left (clutch) side. Locate provided one (1) bracket arm, one (1) left mirror slider, one (1) left base adapter, one (1) base assembly, one (1) front rubber, one (1) inside rubber, one (1) threaded stud, one (1) flat washer, one (1) locknut, two (2) flat head cap screws, one (1) Standoff, one (1) VHB ring, and one (1) slider cap. Locate OEM mirror, backer plate, and lock nut.

REMOVE WINDSHIELD 

PIC 1

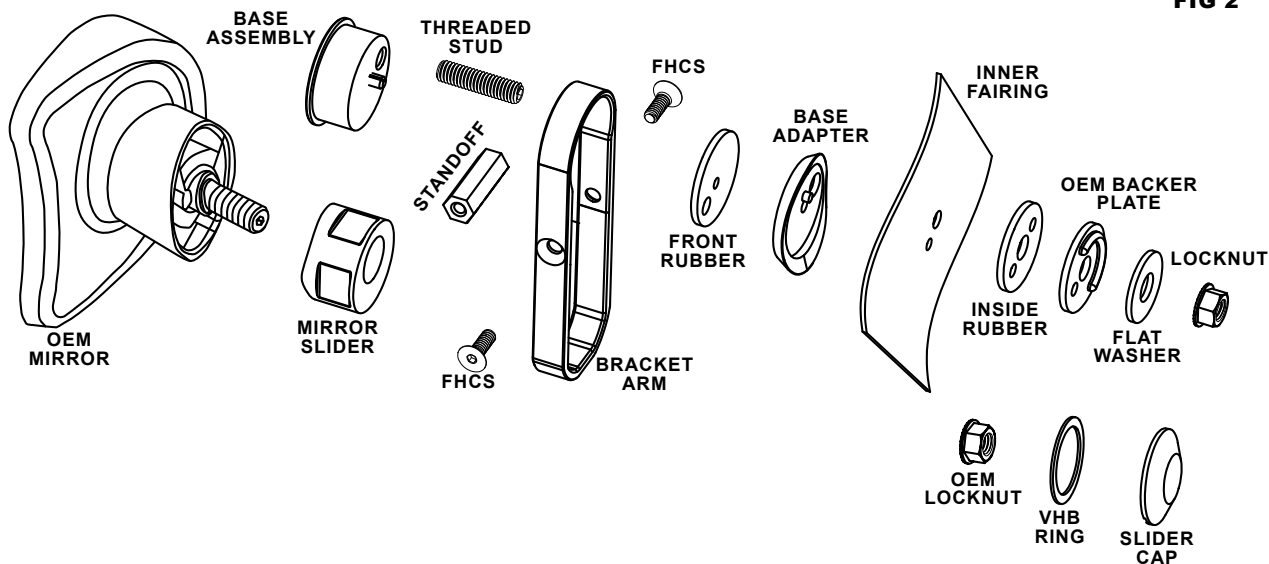
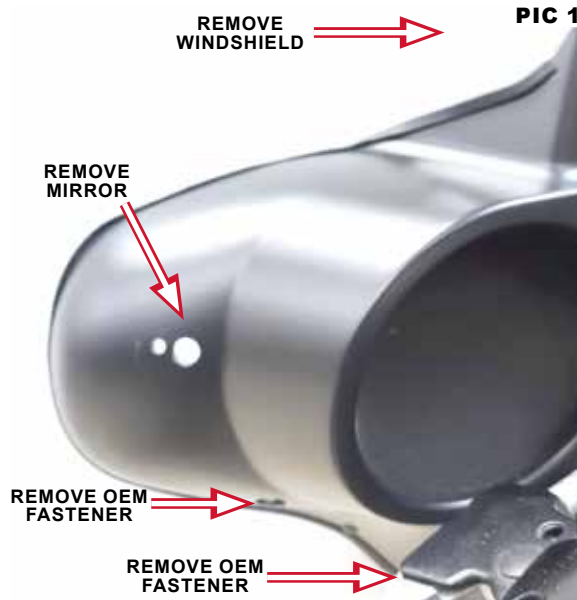


FIG 2

INSTALLATION INSTRUCTIONS

ADJUSTABLE MIRROR RELOCATOR, '06-'13 STREET GLIDE

6576

-CONTINUED-

STEP 5 Refer to PIC 4 and 5. Place the bracket arm on a flat clean surface top. Take the right side mirror slider, with the side with the center hole and smaller hole facing up, place the slider into the circular end of the bracket arm and slide it to the other end of the bracket. The smaller hole should be above and to the right of the center hole.

Note:

Right Mirror Slider = small hole above and to the right of the center mounting hole

Left Mirror Slider = small hole above and to the left of the center mounting hole

STEP 6 Refer to PIC 4 and 5. Place the base assembly in the circular end of the bracket arm. The boss on the backside of the base assembly will align with the smaller mounting hole on the inner fairing.

STEP 7 Refer to PIC 6 and 7. Locate the front rubber, the left base adapter and the threaded stud. Align and place the front rubber on the backside of the base assembly, followed by the left base adapter. Fasten the threaded stud to the base assembly. Fully tighten the stud.

Note: The curvature of the adapter matches the curvature of the inner fairing. Test fit adapter on each side to determine left and right adapters.

Left base adapter = boss on the left side of stud

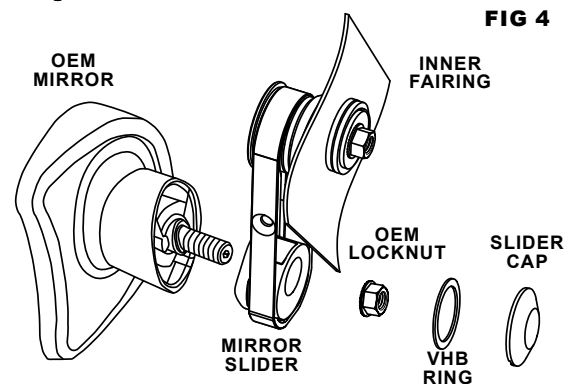
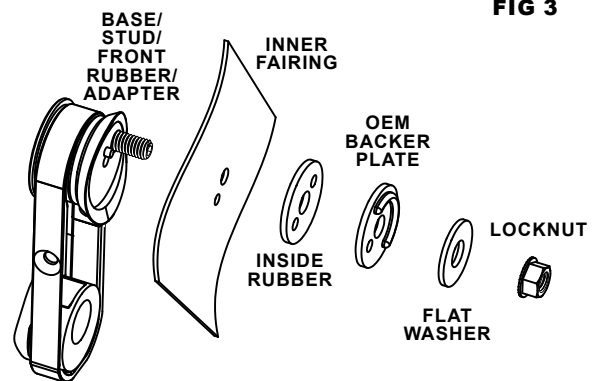
Right base adapter = boss on the right side of stud

STEP 8 Refer to FIG 3 Locate the provided inside rubber, flat washer, locknut, and the OEM backer plate. Align the boss and stud on the backside of the base assembly with the mirror's mounting holes on the inner fairing. On the inside of the inner fairing align and place the inside rubber onto the protruding threaded stud, followed by the OEM backer plate and the flat washer. Secure all in place by fastening the locknut to the threaded stud. Fully tighten the locknut.

TORQUE VALUE FOR LOCKNUT:
12 ft-lbs (16.27 Nm)

STEP 9 Refer to FIG 4. Locate the OEM mirror and the OEM locknut that was removed in Step 3. On the front side of the slider align and insert the mirror through the slider's mounting holes, and secure it in place on the backside of the slider using the OEM hardware. Fully tighten hardware.

PIC 4 PHOTOS NEEDED



INSTALLATION INSTRUCTIONS

ADJUSTABLE MIRROR RELOCATOR, '06-'13 STREET GLIDE

6576

-CONTINUED-

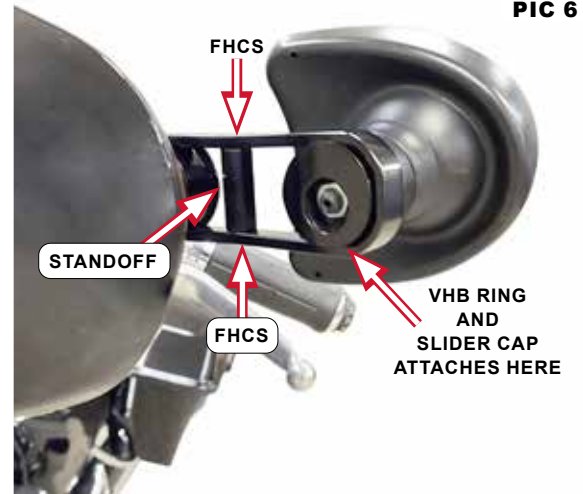
- STEP 10** Refer to PIC 6. Locate provided one (1) standoff and two (2) flat head cap screws. Align and place the Standoff in the middle of the bracket arm assembly. Loosely secure it in place with a flat head cap screw on top and bottom of the bracket arm.
- STEP 11** Make adjustments to the position of the bracket and mirror. Once set in desired location, fully tighten the flat head screws on the bracket arm.
- STEP 12** Refer to PIC 6. Use your fingernail to rub the adhesive backing on the VHB ring; this will activate the adhesive. Remove and discard one side of the ring's adhesive backer. Align and place ring onto the flat edge on the inside of the slider cap. Remove adhesive backer from other side of the ring. Align the slider cap with the back of the slider with the mirror attached to it. Press into place for one minute; full bonding will occur after 24 hours.
- STEP 13** Repeat Steps 3 through 12 on the opposite side.
- STEP 14** Make adjustments to the mirror positions as needed by loosening and re-tightening the flat head cap screws.
- STEP 15** Reconnect the headlight, and reinstall outer fairing and windshield using hardware that was removed in Step 2.

TORQUE VALUE OF OUTER FAIRING SCREWS:
25-30 in-lbs (2.8-3.4 Nm)

TORQUE VALUE OF WINDSHIELD SCREWS:
25-30 in-lbs (2.8-3.4 Nm)

NOTICE

IT IS THE INSTALLER'S RESPONSIBILITY TO ENSURE THAT ALL OF THE FASTENERS (INCLUDING PRE-ASSEMBLED) ARE TIGHTENED BEFORE OPERATION OF THE MOTORCYCLE. KURYAKYN WILL NOT PROVIDE WARRANTY COVERAGE ON PRODUCTS OR COMPONENTS LOST DUE TO IMPROPER INSTALLATION OR LACK OF MAINTENANCE. PERIODIC INSPECTION AND MAINTENANCE ARE REQUIRED ON ALL FASTENERS.



INSTALLATION INSTRUCTIONS

ADJUSTABLE MIRROR RELOCATOR, '06-'13 STREET GLIDE

6576

-CONTINUED-

LIMITED WARRANTY

Kuryakyn warrants that any Kuryakyn products sold hereunder, shall be free of defects in materials & workmanship for a period of one (1) year from the date of purchase by the consumer excepting the following provisions:

1. Kuryakyn shall have no obligation in the event the customer is unable to provide a receipt showing the date the customer purchased the product(s).
2. The product must be properly installed, maintained & operated under normal conditions.
3. Kuryakyn shall not be liable for any consequential & incidental damages, including labor & paint, resulting from failure of a Kuryakyn product, failure to deliver, delay in delivery, delivery in nonconforming condition, or for any breach of contract or duty between Kuryakyn & a customer.
4. Kuryakyn products are often intended for use in specific applications. Kuryakyn makes no warranty if a Kuryakyn product is used in applications other than intended.
5. Kuryakyn electrical products are warranted for one (1) year from the date of purchase by the consumer. L.E.D.'s contained in components of Kuryakyn products will be warranted for defects in materials & workmanship for 3 years from the date of purchase whereas all other components shall be warranted for one (1) year.
6. All warranty claims must be directed to the place of purchase. Merchandise sold through internet auction sites or any other unauthorized reseller shall not carry a Kuryakyn warranty. If unsure, please contact the place of purchase to verify they are an authorized Kuryakyn reseller.

RETURN POLICY

Merchandise determined to be defective may be returned up to one year from the date of purchase. Returns must be processed through original seller. Returned merchandise for any other reason other than warranty claims must be in like new condition & subject to a 20% restocking fee. All returns are subject to inspection for determination of full or partial credit. Any returned part that shows evidence of being used or installed contrary to manufacturer's instructions, &/or subjected to improper handling, packaging or return shipping by the customer, will not be eligible for exchange, refund or warranty consideration. All returned electrical items will be inspected & tested. If electrical item is deemed functional, no credit will be issued & item will be returned. All sales are final on discontinued or closeout merchandise.

©2015 KURYAKYN HOLDINGS, LLC ALL RIGHTS RESERVED

KURYAKYN, KURYAKYN K logo and the marks appearing on this instruction sheet are registered and common law trademarks of Kuryakyn Holdings except noted third-party trademarks. A full listing of trademarks and trademark registrations owned by Kuryakyn Holdings can be found at www.kuryakyn.com/legal-notice.

Emissions Notice: The California Air Resources Board (CARB) does not permit the use of aftermarket emission-related parts(s) that alter the performance of OEM emission-related devices unless CARB has issued an Executive Order, other than on racing vehicles on closed courses. Check your local laws and manufacturer's information.

Listed Manufacturers and product model names are for reference only. All product and company names are trademarks or registered trademarks of their respective holders. Use of them does not imply any affiliation with or endorsement by them. All specifications are subject to change without notice.

For additional information on third-party product and company names, please consult our Web page at www.kuryakyn.com/legal-notice