



TOTAL CONTROL PASSING LAMP HARNESS

5495

PARTS INCLUDED

- 1 Total Control Passing Lamp Harness—FLHR and FLST models
- 1 Dielectric Grease Pack
- 1 Installation Instructions

Please read and understand entire instructions before starting installation.

THANK YOU FOR CHOOSING KÜRYAKYN!

IN ORDER TO PROTECT YOU AND OTHERS FROM POSSIBLE INJURY AND/OR PROPERTY DAMAGE OR LOSS, PLEASE PAY CLOSE ATTENTION TO ALL INSTRUCTIONS, WARNINGS, CAUTIONS AND NOTICES REGARDING THE USE AND CARE OF THIS PRODUCT.



THIS INDICATION ALERTS YOU TO THE FACT THAT IGNORING THE CONTENTS DESCRIBED HEREIN CAN RESULT IN POTENTIAL DEATH OR SERIOUS INJURY.



This indication alerts you to the fact that ignoring the contents described herein may negatively affect product performance and functionality.



This indication alerts you to the fact that ignoring the contents described herein can result in potential injury.



IF INSTALLING THIS PRODUCT FOR ANOTHER PARTY, PLEASE MAKE SURE THEY RECEIVE THIS COPY OF THE INSTALLATION INSTRUCTIONS SO THEY ARE AWARE OF THE IMPORTANT INFORMATION CONTAINED IN THEM.

TOOLS SUGGESTED

Set of Torx Wrenches, Set of Hex Wrenches, Set of combination Wrenches, Phillips Screwdriver

STRICTLY OBSERVE THE FOLLOWING GUIDELINES IN ORDER TO USE THE PRODUCT PROPERLY AND AVOID POTENTIALLY DANGEROUS ACCIDENTS.

STEP 1

Read and understand all steps in the instructions before starting the installation. Park the motorcycle on a hard, level surface and turn off the ignition.



A factory service manual may be helpful in performing this installation. Do not attempt to perform this installation if you are not confident in your ability to complete all of the steps in the procedure; consult a trained technician.



IT IS THE INSTALLERS RESPONSIBILITY TO ENSURE THAT THE INSTALLATION OF THIS ACCESSORY DOES NOT EXCEED THE MAXIMUM AMPERAGE OF THE CHOSEN CIRCUIT. EXCEEDING THE MAXIMUM ALLOWABLE AMPERAGE MAY LEAD TO CIRCUIT FAILURE WHICH COULD RESULT IN SERIOUS INJURY OR DEATH.

CUSTOMER SERVICE

877.370.3604 (toll free)

INSTALLATION QUESTIONS

techsupport@kuryakyn.com
or call 715.247.2983

LIMITED WARRANTY

Kuryakyn warrants that any Kuryakyn products sold hereunder, shall be free of defects in materials and workmanship for a period of one (1) year from the date of purchase by the consumer excepting the following provisions:

- Kuryakyn shall have no obligation in the event the customer is unable to provide a receipt showing the date the customer purchased the product(s).
 - The product must be properly installed, maintained and operated under normal conditions.
- Kuryakyn makes no warranty, expressed or implied, with respect to any gold plated products.
 - Kuryakyn shall not be liable for any consequential and incidental damages, including labor and paint, resulting from failure of a Kuryakyn product, failure to deliver, delay in delivery, delivery in nonconforming condition, or for any breach of contract or duty between Kuryakyn and a customer.
- Kuryakyn products are often intended for use in specific applications. Kuryakyn makes no warranty if a Kuryakyn product is used in applications other than intended.
- Kuryakyn electrical products are warranted for one (1) year from the date of purchase by the consumer. L.E.D.'S contained in components of Kuryakyn products will be warranted for defects in materials and workmanship for 3 years from the date of purchase where as all other components shall be warranted for one(1) year. This includes, but is not limited to; control modules, wiring, chrome & other components.
- Kuryakyn makes no warranty of any kind in regard to other manufacturer's products distributed by Kuryakyn. Kuryakyn will pass on all warranties made by the manufacturer and where possible, will expedite the claim on behalf of the customer, but ultimately, responsibility for disposition of the warranty claim lies with the manufacturer.

ABOUT OUR CATALOG

For purchasing Kuryakyn® products, you can receive a complete catalog free of charge. Send the Proof-of-Purchase below with your address to: Kuryakyn, P.O. Box 339, Somerset, WI 54025. Please indicate either Accessories Catalog for Harley-Davidson® or GL & Metric Cruisers.

Be sure to ask your local dealer about other Kuryakyn® products, the motorcycle parts and accessories designed for riders by riders.

©2005 Kuryakyn USA® All Rights reserved.



NOTICE

It is the installer's responsibility to ensure that the electrical accessories operating at one time do not use more current than the charging system can supply. Overloading of the charging system can cause the battery discharge and damage the electrical system on the motorcycle.

Kuryakyn®

NOTE: The OEM passing lamps draw up to 4.6 amps when they are on.

NOTE: Make sure the key fob is with you on '07 and later models, or the siren (if equipped) has been disarmed with the key fob on '06 and earlier models.

CAUTION To prevent the bike from accidentally starting, remove the main fuse before starting this procedure.

STEP 2 If your motorcycle is equipped with a main fuse, remove it as outlined in the service manual.

CAUTION Avoid potential electrical shock! Disconnect the battery before starting this procedure.

STEP 3 If your motorcycle is equipped with a main circuit breaker, remove the seat and disconnect the negative terminal from the battery.

INSTALLATION ON ROAD KING MODELS

STEP 4 Remove the headlight assembly as outlined in your service manual.

STEP 5 Remove the passing lamp toggle switch from the back of the headlight housing. Route the toggle switch and the 4-pin connector for it out the front of the headlight housing.

STEP 6 Locate the **BLACK** wire from position #1 in the 4-pin connector. Follow this wire to where it is connected to the toggle switch. Unplug the female terminal on this wire from the toggle switch. FIG 1

NOTE: Some models have switches with non-removable wiring. In these instances you will need to cut the common (COM) wire from the switch. You will need to cut the **SINGLE WIRE** connector off of the Total Control Harness and connect it to the wire FROM the switch with a butt connector, solder, etc. FIG 2

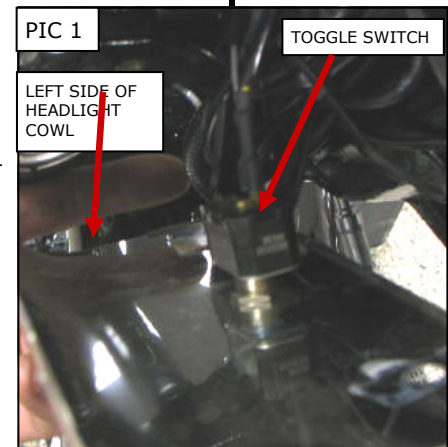
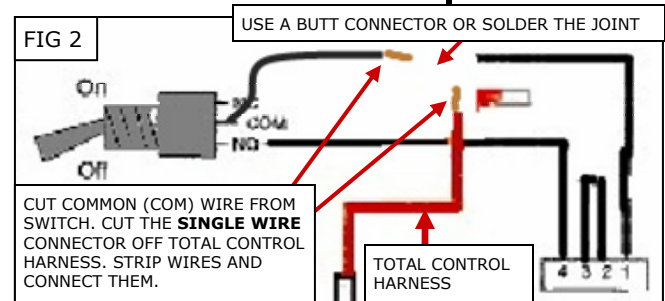
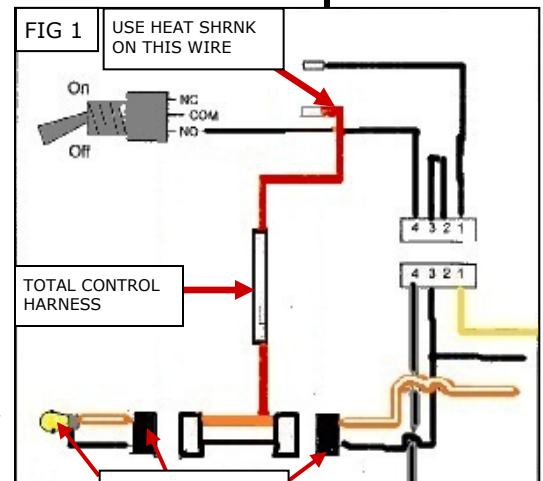
STEP 7 Locate the **RED** wire with the insulated female spade from the Total Control Passing Lamp Harness. Connect this wire to the spade on the toggle switch that the black wire was removed from in Step 6. FIG 1

STEP 8 Using a piece of heat shrink or electrical tape, cover the end of the female spade on the **BLACK** wire removed in Step 6. This will protect the connector and help prevent unwanted shorting of the circuit. FIG 1

STEP 9 Locate the black 2-pin connector that has an **ORANGE** with a **WHITE** stripe wire and a **BLACK** wire that powers the fender tip light. Separate the connectors. FIG 1

STEP 10 Install the **WHITE** connectors of the Total Control Passing Lamp Harness between these halves. FIG 1

STEP 11 Install the toggle switch in the OEM location. Secure all wiring out of harms way. Proceed to Step 18.



PAGE

2

-cont.-

TOTAL CONTROL HARNESS

INSTALLATION

INSTALLATION ON HERITAGE MODELS

STEP 12 Remove the toggle switch from the left rear cowl cover or remove the left rear cowl cover. PIC 1 Route the switch out from behind the panel if removing just the switch.

STEP 13 Unplug the **YELLOW** wire from the toggle switch. Locate the **RED** wire with the insulated female spade from the Total Control Passing Lamp Harness. Connect this wire to the spade on the toggle switch that the yellow wire was removed from. FIG 2

STEP 14 Using a piece of heat shrink or electrical tape, cover the end of the female spade on the yellow wire removed in Step 13. This will protect the connector and help prevent unwanted shorting of the circuit. FIG 2

STEP 15 Locate the black 2-pin connector that has an **ORANGE** with a **WHITE** stripe wire and a black wire that powers the fender tip light. FIG 1 This connector is located behind the left front side of the fuel tank. You may have to loosen the mounting fasteners and slide the tank back, or remove the fasteners and remove the fuel tank, (as outlined in the service manual) to locate the correct connector. PIC 2 Separate the connectors.

NOTICE When raising or removing the fuel tank, care **MUST** be taken not to stretch, puncture or break the attached fuel line.

STEP 16 Install the **WHITE** connectors of the Total Control Passing Lamp Harness between these halves. FIG 2

STEP 17 Install the fuel tank (as outlined in the service manual) or tighten the fuel tank fasteners.

STEP 17 Install the toggle switch in the OEM location (if removed). Secure all wiring out of harms way. Proceed to Step 18.

ALL MODELS

STEP 18 Depending on your model, install the Main fuse as outlined in the service manual, or reconnect the negative battery cable as outlined in the service manual.

STEP 19 Test that the passing lights operate correctly by: Turn on the ignition switch, but do not start the motorcycle. The low beam should be on the headlight. Toggle the passing lights on and off with the switch on the dash. The lights should turn on and off. Turn on the high beam on the head light. Toggle the passing lights on and off. The lights should turn on and off. Turn the ignition switch to the Accessory position. Toggle the passing lights on and off. The lights should turn on and off. Turn the ignition switch off. Toggle the passing lights on and off with the switch on the dash. The lights should not come on.

WARNING ENSURE PROPER LIGHT OPERATION BEFORE RIDING THE MOTORCYCLE. VISIBILITY IS A MAJOR CONCERN FOR MOTORCYCLISTS. A LIGHT MALFUNCTION COULD RESULT IN DEATH OR SERIOUS INJURY.

STEP 20 Depending on your model, install the headlight or headlight cowl.

STEP 21 Depending on your model, install the seat or side cover.

WARNING AFTER INSTALLING THE SEAT, PULL UP ON IT TO ENSURE IT IS LOCKED INTO PLACE. A LOOSE SEAT CAN SHIFT AND CAUSE LOSS OF CONTROL RESULTING IN SERIOUS INJURY OR DEATH.

