

THANK YOU FOR CHOOSING CRUSHER!

PROTECT YOURSELF AND OTHERS FROM POTENTIAL INJURY AND PROPERTY DAMAGE OR LOSS. PAY CLOSE ATTENTION TO ALL INSTRUCTIONS, WARNINGS, CAUTIONS, AND NOTICES REGARDING THE INSTALLATION, USE, AND CARE OF THIS PRODUCT.

▲ WARNING

THIS INDICATION ALERTS YOU TO THE FACT THAT IGNORING THE CONTENTS DESCRIBED HEREIN CAN RESULT IN POTENTIAL DEATH OR SERIOUS INJURY.

NOTICE

This indication alerts you to the fact that ignoring the contents described herein may negatively affect product performance and functionality or damage the product itself or the product to which it is being attached.

ENSURE THAT THE FOLLOWING PARTS HAVE BEEN INCLUDED IN THE KIT:

1	Front Header Assembly
1	Front Heatshield
1	Rear Header Assembly
1	Rear Heatshield
1	Crosspipe Header Assembly
1	Left pipe Heatshield
1	Transmission Mounting Bracket (stamped 514-P)
1	Crosspipe Mounting Bracket (stamped 564-P)
1	3/8" -16 X 1-1/4" Flange Head Bolt
1	Chrome Clamp
1	3/8" Flat Washer
1	3/8"-16 Lock Nut
1	3/8"-16 x 3" Socket Head Cap Screw
1	3/8" Lock Washer
1	Torca Band Clamp
2	18mm O2 Sensor Bung Plugs—Larger
2	12mm O2 Sensor Bung Plugs—Smaller
2	Nylon Cable Ties
2	3/8" X 1" x 3/16" Flat Washer
1	Floor Board Spacer (stamped 593-P)
2	Nut Plates
4	5/16" Flange Head Bolt
9	Small Hose Clamps
1	Installation Instructions

SUGGESTED TOOLS:

Flat blade screwdriver, 5/16" nut driver, set of combination wrenches, snap-ring pliers, ft lbs (Nm) torque wrench, set of sockets, hex sockets and ratchet

NOTICE

These installation instructions contain important information. Ensure that the end user receives this copy and is aware of its importance for future use.

STEP 1 Read and understand all **STEPS** in the instructions before starting the installation. Park the motorcycle on a hard, level surface and turn off the ignition. Allow the engine and exhaust system to cool.

REMOVE EXISTING EXHAUST SYSTEM:

▲ WARNING

INSTALLATION REQUIRES CONTACT WITH THE EXHAUST SYSTEM. ENSURE THAT THE EXHAUST SYSTEM HAS FULLY COOLED BEFORE BEGINNING TO PREVENT INJURY.

STEP 2 Remove both left and right saddlebags and set them aside.

STEP 3 Loosen the bolt from the pinch clamp on the front end of each muffler. Remove the two 5/16" bolts that mount the muffler to the saddlebag supports. Repeat this step on the opposite muffler. Remove the mufflers and set them aside.

NOTE: It may be necessary to use a penetrating lubricant to loosen the muffler from the head pipe.

STEP 4 Find and unplug the O2 sensor wires from the wiring harness and remove cable tie holding front wire to frame. Feed the end of the wires through the frame so they are free from the motorcycle.

NOTE: Pay attention to wire routing for re-installation.

STEP 5 Remove the right hand floor board and mounting brackets.

STEP 6 Remove the right hand passenger floor board.

STEP 7 Remove the section of head pipe connecting the left side muffler and the mount bracket on the backside of the oil pan, set the 1/4"-20 x 3/4" screws aside for reuse.

STEP 8 Refer to **PIC 8 on PAGE 4**. Install the cross pipe support bracket (stamped 564-P) at the stock location behind the oil pan with the stock 1/4"-20 x 3/4" screws removed in **STEP 7**. Tighten securely.

STEP 9 Loosen the nut and carriage bolt holding the front head pipe to the bracket on the transmission housing.

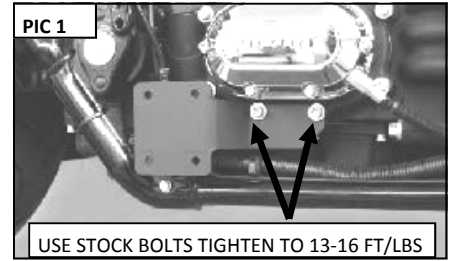
STEP 10 Loosen the heat shield clamps on both front and rear exhaust pipes.

STEP 11 Remove the two mounting nuts from each head pipe, located at the cylinder head. Carefully remove the head pipes and set them aside.

STEP 12 Using a 7/8" or 22mm wrench, carefully remove the O2 sensors from the stock head pipes and save for re-use with the new system.

STEP 13 Carefully remove the exhaust port flanges and circlips from the stock exhaust system using snap-ring pliers.

STEP 14 Refer to PIC 1. Replace the bracket on the transmission housing with new bracket (stamped 514- P) and torque to 13-16 ft lbs (17.63-21.69 Nm).



NOTE: Replace bent or damaged retaining rings. Check exhaust port gasket condition. Crusher recommends replacing the exhaust gaskets with Crusher-Cometic P/N 482.

NOTICE

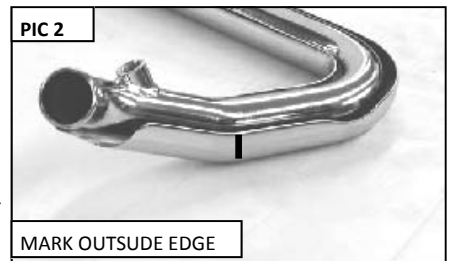
When installing new chrome exhaust, make sure your hands are clean and free of grease and oil. After installation, thoroughly clean pipes with a soft clean cloth and cleaning solvent that will leave no residue (glass cleaner, alcohol, ammonia, etc...) before starting the motorcycle.

Proper tuning is important. We recommend carbureted bikes should be rejetted and fuel injected bikes should be tuned with a TTS MasterTune tuning system (calibrations available at www.kuryakyn.com), or by an experienced tuner, on a dyno, with an exhaust gas analyzer. 2007 and later Harley Twin Cams run especially lean combined with retarded ignition timing. Lean conditions and/or retarded ignition timing will cause high exhaust temperatures and discolor chrome exhaust.

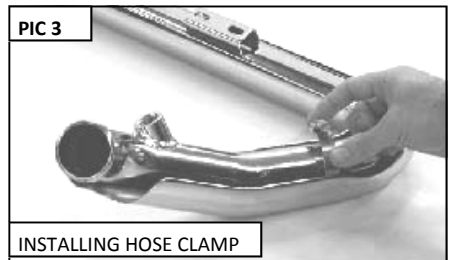
CRUSHER DOES NOT WARRANTY ANY CHROME EXHAUST PRODUCTS AGAINST DISCOLORATION! Discoloration is not a defect in chrome. All chrome exhaust systems will turn color. Chrome discoloration is a result of heat. The more heat the chrome is exposed to, the quicker and more severe the discoloration will be.

CRUSHER TRUE DUALS INSTALLATION:

STEP 1 Refer to PIC 2. Remove head pipes and heat shields from protective packaging. Place each heat shield on a non-abrasive surface such as blanket or carpet. Using a felt tip pen, mark outside edge of each heat shield to show location of mounting clips that hose clamps will loop through.



STEP 2 Refer to PIC 3. Lay head pipes into heat shields and loosely install the small hose clamps into the mounting clips.



NOTE: Refer to PIC 4. Screw heads should be accessible when the system is installed on motorcycle for adjustment purposes. Do not tighten at this time.

STEP 3 Apply a small amount of anti-seize compound to the threads of the O2 sensors and install them into the new head pipes.

NOTE: Be careful not to get anti-seize on sensor tip, it may affect sensor function.

ON '09 MODELS: Install the included 12mm (smaller) O2 Sensor Bung Plugs.

ON '10-LATER MODELS: Install the included 18mm (larger) O2 Sensor Bung Plugs.

STEP 4 Refer to PIC 5. Install circlips and flanges from stock system onto both new head pipes.

STEP 5 Using stock flange nuts, carefully install head pipes onto motorcycle. Do not tighten at this time.

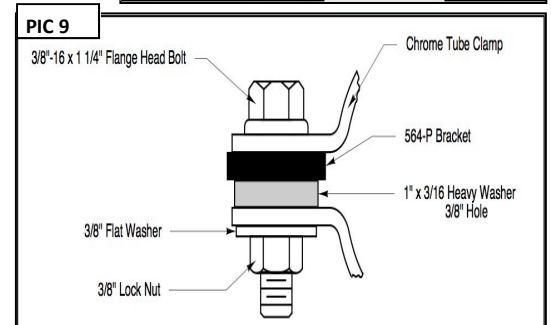
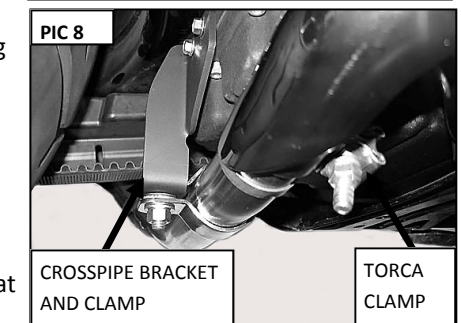
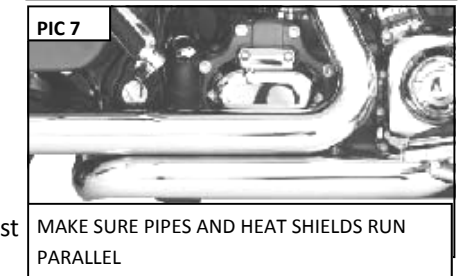
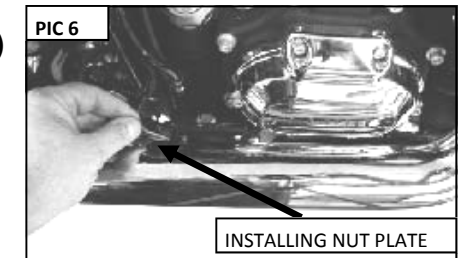
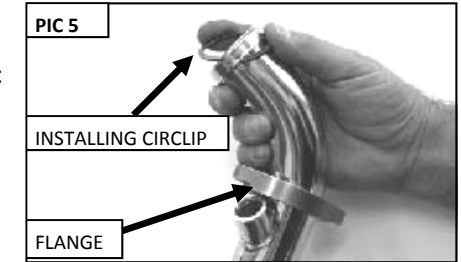
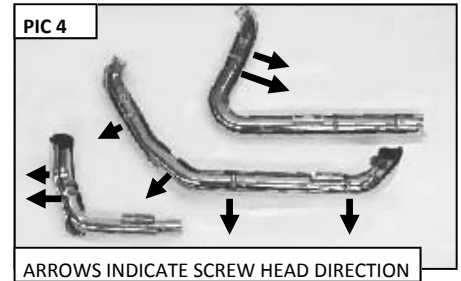
STEP 6 Refer to PIC 6. Use the included nut plates and 5/16" x 5/8" flange bolts to attach the pipes to the bracket. Do not tighten at this time.

STEP 7 Refer to PIC 7. Align pipes on motorcycle so the gap between the two heat shields is parallel where they run together. PIC 7 Tighten the exhaust port flange nuts and the 5/16" x 5/8" flange head bolts.

STEP 8 Refer to PIC 8. Install the included Torca Band Clamp, with the nut facing down, on the expanded end of the front head pipe.

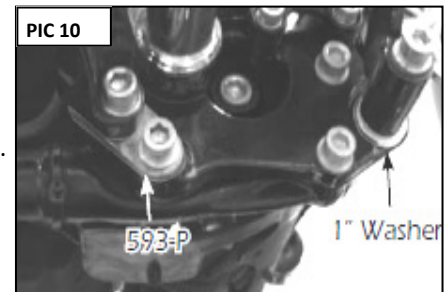
STEP 9 Refer to PIC 8 and 9. Carefully slip the end of the new crosspipe through the included chrome clamp and into the expanded portion of the front head pipe. Using the included 3/8"-16 X 1-1/4" flange head bolt, 3/8" Flat washer, 3/8"-16 lock nut and one of the included 3/8" X 1" X 3/16" thick washers, attach the chrome clamp to the **564-P** bracket from **STEP 8-EXHAUST REMOVAL-** as shown in PIC 9 Tighten both clamps, Torca and cross pipe, securely.

STEP 10 Install the mufflers of your choice onto both head pipes and secure with the stock 5/16" bolts and lock washers.



- STEP 11** Check alignment of mufflers and make corrections as required.
- STEP 12** Tighten the all band clamps securing the mufflers to the head pipes.
- STEP 13** Plug the O2 sensor wires back into the wiring harness and route wires away from hot areas of the motorcycle. Use the nylon cable tie (supplied) to secure the front O2 sensor wire to the frame.

- STEP 14** Refer to **PIC 10**. Re-install the right hand floor board brackets using the Stock 3/8"-16 x 1 1/4" bolt in the rear bracket with the included bracket spacer (stamped **593-P**). Use the included 3/8"- 16 x 3" bolt 3/8" lock washer and the 3/8" X 1" x 3/16" large washer to install the front bracket.



- STEP 15** Re-install the right side passenger floor board. Re-install the saddlebags. Be sure to tighten all hardware before starting your motorcycle.

- STEP 16** After installation and before starting the motorcycle, completely clean pipes and mufflers with cleaning solvent and a clean soft cloth that will not leave residue.

NOTICE

It is the end user's responsibility to ensure that all of the fasteners (including pre-assembled) are tightened before operation of the motorcycle. Crusher will not provide warranty coverage on products or components lost due to improper installation or lack of maintenance. Periodic inspection and maintenance are required on all fasteners.

EXHAUST CARE

- 1.** Proper tuning is important. We recommend carbureted bikes should be rejetted and fuel injected bikes should be tuned with a TTS MasterTune tuning system (calibrations available at www.kuryakyn.com), or by an experienced tuner, on a dyno, with an exhaust gas analyzer. 2007 and up Harley Twin Cams run especially lean combined with retarded ignition timing. Lean conditions and/or retarded ignition timing will cause high exhaust temperatures and discolor chrome exhaust.
- 2.** Avoid long periods of idling as this can cause discoloration
- 3.** Make sure there are no exhaust leaks at the junction of the exhaust pipes and cylinder heads. We recommend replacing the gaskets with Crusher-Cometic P/N 482.
- 4.** Make sure there are no intake leaks. Intake leaks will cause a lean condition and engine overheating. This could lead to discoloration.
- 5.** When installing new chrome exhaust, make sure your hands are clean and free of grease and oil. After installation, thoroughly clean pipes with a soft clean cloth and cleaning solvent that will leave no residue (glass cleaner, alcohol, ammonia, etc...) before starting the motorcycle.

LIMITED WARRANTY

Küryakyn warrants that any Crusher products sold hereunder, shall be free of defects in materials & workmanship for a period of one (1) year from the date of purchase by the consumer excepting the following provisions:

1. Küryakyn shall have no obligation in the event the customer is unable to provide a receipt showing the date the customer purchased the product(s).
2. The product must be properly installed, maintained & operated under normal conditions.
3. Küryakyn shall not be liable for any consequential & incidental damages, including labor & paint, resulting from failure of a Küryakyn product, failure to deliver, delay in delivery, delivery in nonconforming condition, or for any breach of contract or duty between Küryakyn & a customer.
4. Crusher products are often intended for use in specific applications. Küryakyn makes no warranty if a Küryakyn product is used in applications other than intended.
5. Crusher electrical products are warranted for one (1) year from the date of purchase by the consumer. L.E.D.'s contained in components of Küryakyn products will be warranted for defects in materials & workmanship for 3 years from the date of purchase where as all other components shall be warranted for one (1) year.
6. Exhaust systems are warranted for manufacturing defects only. There is no warranty on exhaust pipes & mufflers with regard to any discoloration. Discoloration or "blue-ing" is caused by tuning characteristics, exhaust timing, carburetor jetting, overheating, etc. & is not caused by defective manufacturing.
7. Küryakyn makes no warranty of any kind in regard to other manufacturer's products distributed by Küryakyn. Küryakyn will pass on all warranties made by the manufacturer & where possible, will expedite the claim on behalf of the customer, but ultimately, responsibility for disposition of the warranty claim lies with the manufacturer.
8. Merchandise purchased directly from Internet auction sites or any other third party seller is considered sold as is & shall not carry a Küryakyn warranty. All warranty claims must be directed to the original seller. If unsure please contact the seller to verify they are an authorized Küryakyn retailer.

RETURN POLICY

Merchandise determined to be defective may be returned up to one year from the date of purchase. Returns must be processed through original seller. Returned merchandise for any other reason other than warranty claims must be in like new condition & subject to a 20% restocking fee. All returns are subject to inspection for determination of full or partial credit. Any returned part that shows evidence of being used or installed contrary to manufacturer's instructions, &/or subjected to improper handling, packaging or return shipping by the customer, will not be eligible for exchange, refund or warranty consideration. All returned electrical items will be inspected & tested. If electrical item is deemed functional, no credit will be issued & item will be returned. All sales are final on discontinued or closeout merchandise.

RETURN INSTRUCTIONS

Contact one of our prompt, courteous Customer Service representatives toll free at 866-295-5759. Be sure to have the following information available when you call:

- Name
- Part number(s) to be returned
- Copy of original invoice
- Reason for return

1. Obtain R.M.A. number which shall remain active & valid for 60 days.(Important: Issuance of R.M.A. does not represent an authorized credit.)
2. Carefully package merchandise to avoid damage during shipment. Depending on its condition, original packaging may not be sufficient.
3. Ship only those items for which the R.M.A. has been issued.
4. Write the R.M.A. number prominently on the outside of package.
5. Ship package freight PREPAID (C.O.D.s will not be accepted) to:

Kuryakyn 454 County Road V V Somerset, WI 54025